

# MICRO SWITCH

A DIVISION OF MINNEAPOLIS-HONEYWELL REGULATOR COMPANY, FREEPORT, ILLINOIS

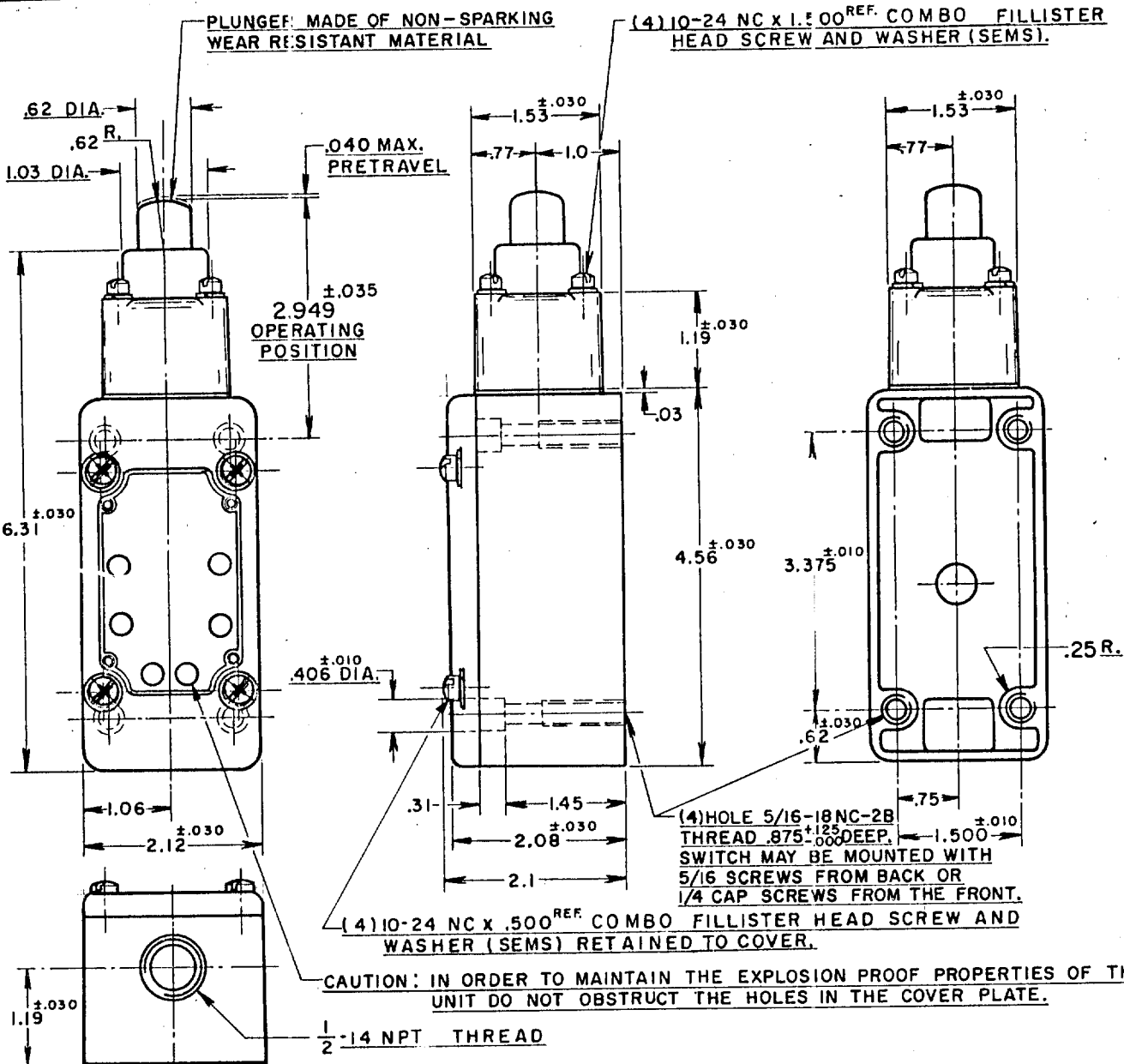
# SWITCH - ENCLOSED

102 ML1-E1



FED. MFR. CODE 91929

THIS DRAWING COVERS A PROPRIETARY ITEM AND IS THE PROPERTY OF MICRO SWITCH, A DIVISION OF HONEYWELL. THIS DRAWING IS NOT TO BE COPIED OR USED WITHOUT THE APPROVAL OF MICRO SWITCH.



**NOTE -**

- 1-LISTED BY UNDERWRITERS LABORATORY, INC. FOR USE IN CLASS 1 GROUPS C AND D VAPOR-AIR ATMOSPHERES, AND CLASS 2 GROUPS E, F AND G DUST-AIR ATMOSPHERES.
- 2-IT IS ESSENTIAL THAT THE CONDUIT OPENING BE PROPERLY SEALED IN ORDER TO MAINTAIN THE EXPLOSION PROOF PROPERTIES.
- 3-SWITCH WILL PERFORM SATISFACTORILY IN TEMPERATURES TO MINUS 30°F.

CHARACTERISTICS (TENTATIVE)	ELECTRICAL DATA	SCALE 1/2 TO 1
OPERATING FORCE - - - - - 6 LB. APPROX.	CONTACT ARRANGEMENT TWO CIRCUIT DOUBLE THROW DOUBLE BREAK	DO NOT SCALE PRINT
RELEASE FORCE - - - - - 4 LB. APPROX.	10A-120, 240, OR 480 VAC, 1/2 HP - 120 VAC 1 HP - 240 VAC; 0.8 A - 115 VDC; 0.4 A - 230 VDC	UNLESS OTHERWISE SPECIFIED DIMENSIONS ARE IN INCHES
DIFFERENTIAL TRAVEL - - - - - .020 MAX.	(A) PILOT DUTY: 720 VA - HEAVY DUTY	<b>TOLERANCES ARE:</b>
OVERTRAVEL - - - - - .500 MIN.	(B) 600 VAC MAX	ONE PLACE (.01) ±.030
SWITCH-BASIC REPLACEMENT - - - - - 1 MN 1	(C)	TWO PLACE (.00) ±.018
		THREE PLACE (.000) ±.008
		ANGLES ±
		WEIGHT

REPLACES  
 NUMBER  
 10  
 12789  
 13022  
 17808  
 24575  
 38549  
 58367  
 63739  
 74287  
 93

RELEASE NO. SR7257  
 8 FEB 58  
 7 FEB 58  
 14 FEB 58  
 5 FEB 58